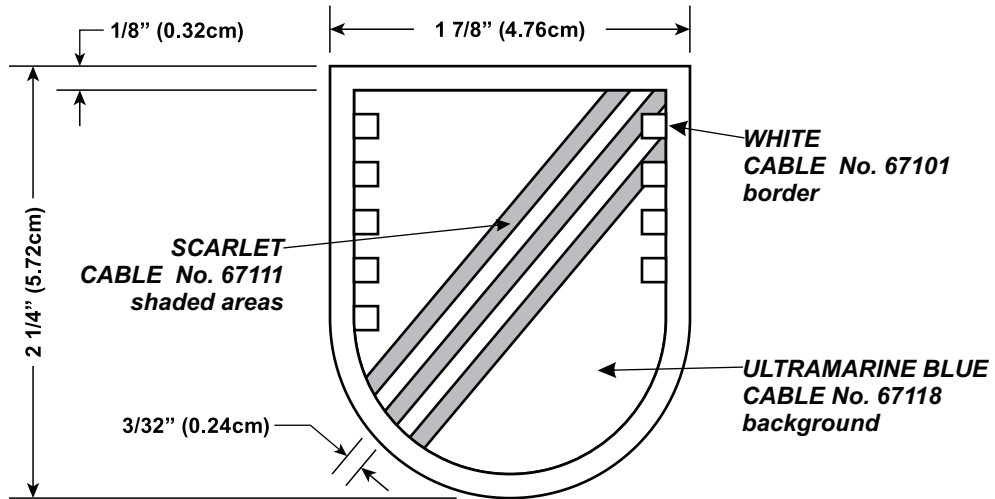


REVISIONS



**DESIGNED FOR OVEREDGE STITCHING**

**DISTRIBUTION A. Approved for Public Release**

EXAMINED	<i>TLC</i>		THE INSTITUTE OF HERALDRY, DEPARTMENT OF THE ARMY	
CHECKED	<i>CA</i>	<i>SAO</i>	9325 GUNSTON RD, RM S-113 FORT BELVOIR, VA 22060-5579	
PREPARED	<b>AWW</b>		BERET FLASH	
APPROVED	MUGNO.CHARLE S.V.1020723374 MUGNO.CHARLES.V.10 20723374 2019.08.20 15:20:33 -04'00' <hr/> CHARLESV. MUGNO DIRECTOR		<b>54TH SECURITY FORCE ASSISTANCE BRIGADE</b>	
MATERIALS: TO BE MANUFACTURED IN ACCORDANCE WITH MIL-DTL-14652			SIZE	CONTROL IDENT. NO
			<b>A</b>	<b>22571</b>
			SCALE	DATE
			FULL	<b>20 AUGUST 2019</b>
				<b>A - 4 - 324</b>